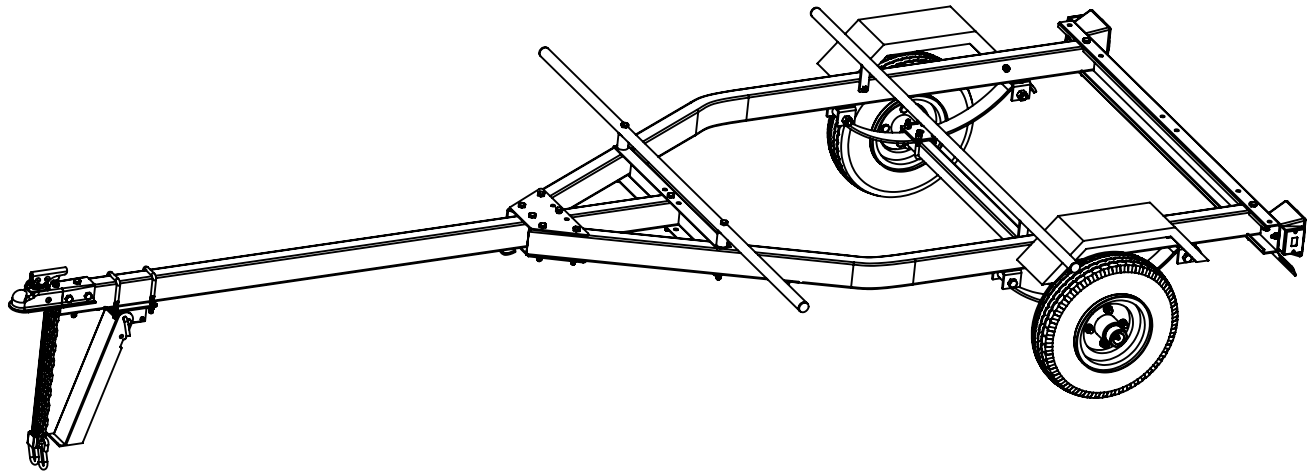




## TS-792C Multi-Sport Crossbar Kit

Revision: B



TS-792C Multi-Sport Crossbars  
Shipping Weight: 12 lbs  
Max Load Capacity: 300 lbs



Approximate Assembly Time  
1/2 hour

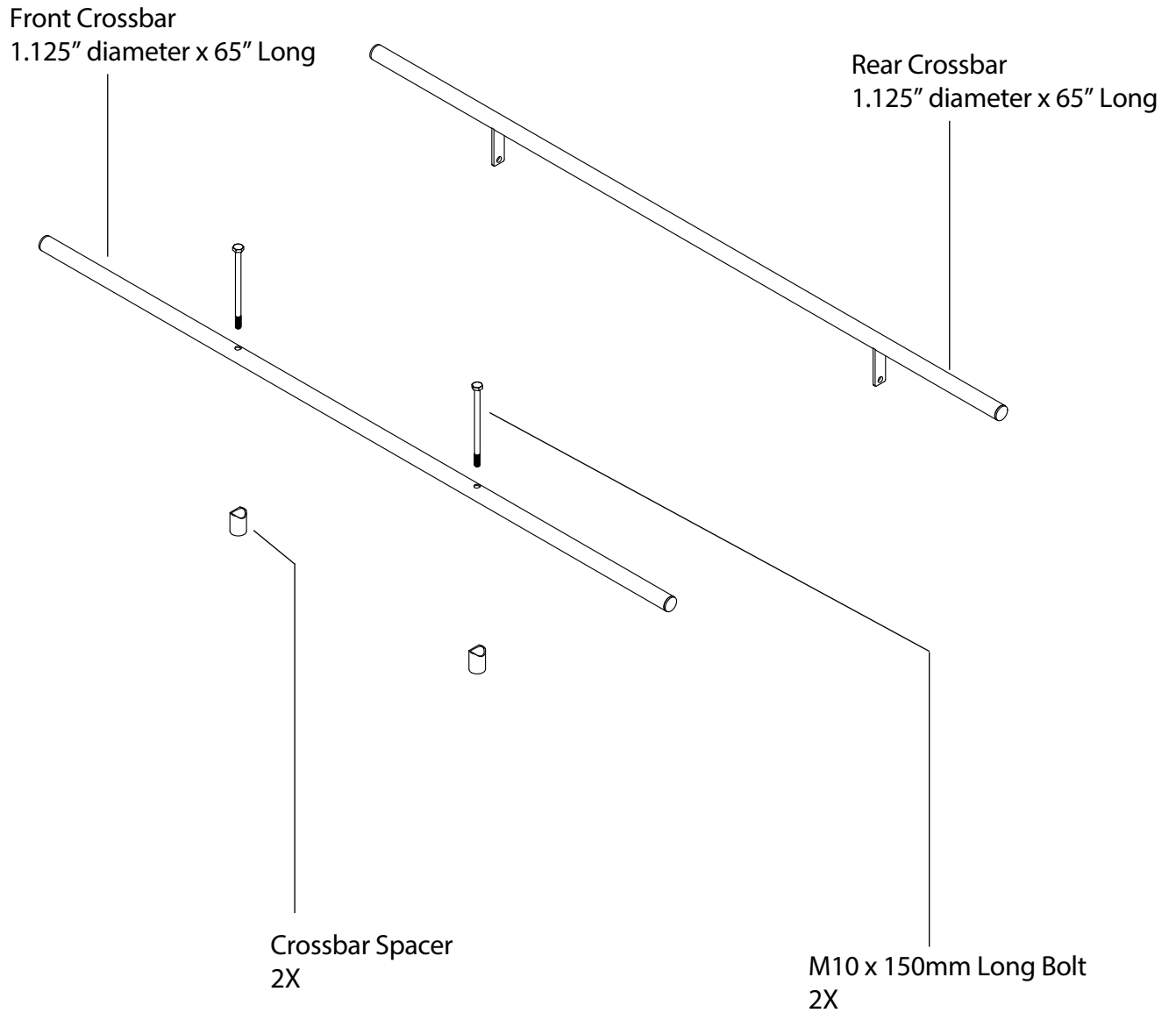
---

## Parts List & Assembly Instructions

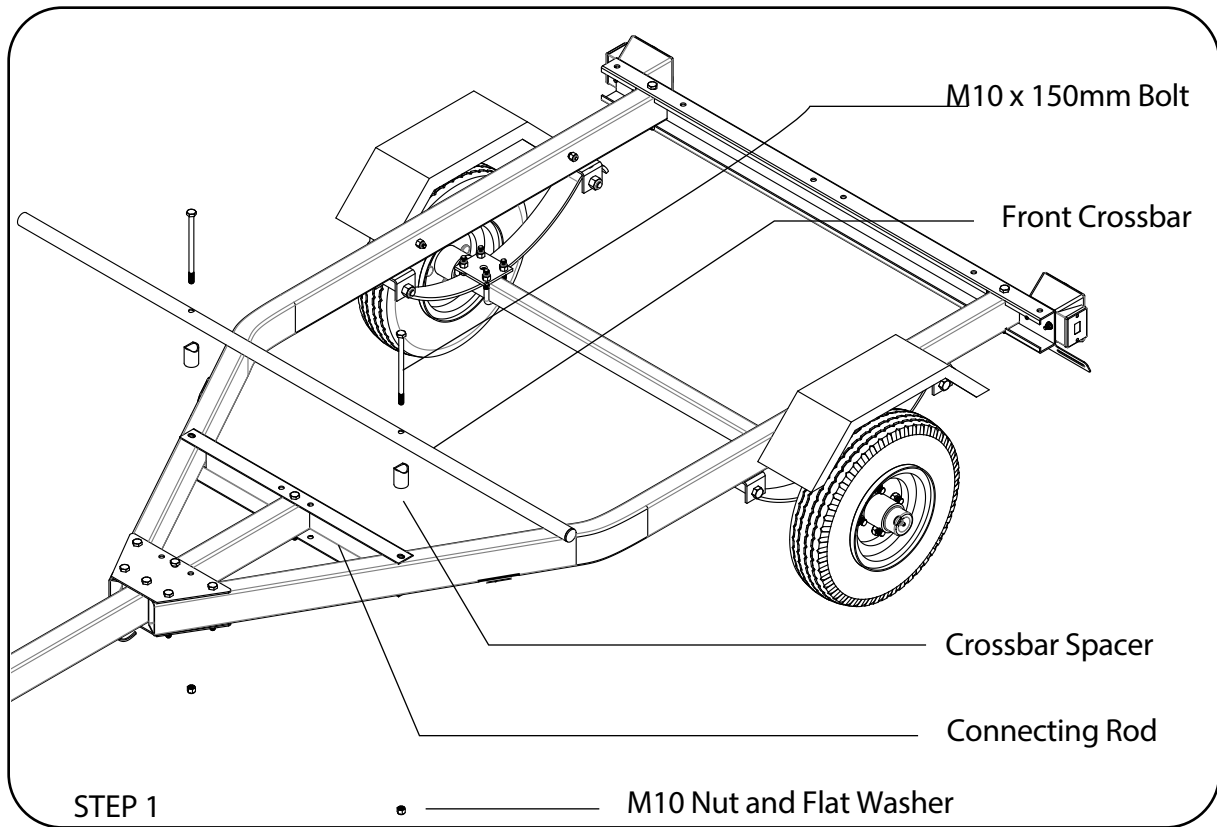
---

The tools you will need:

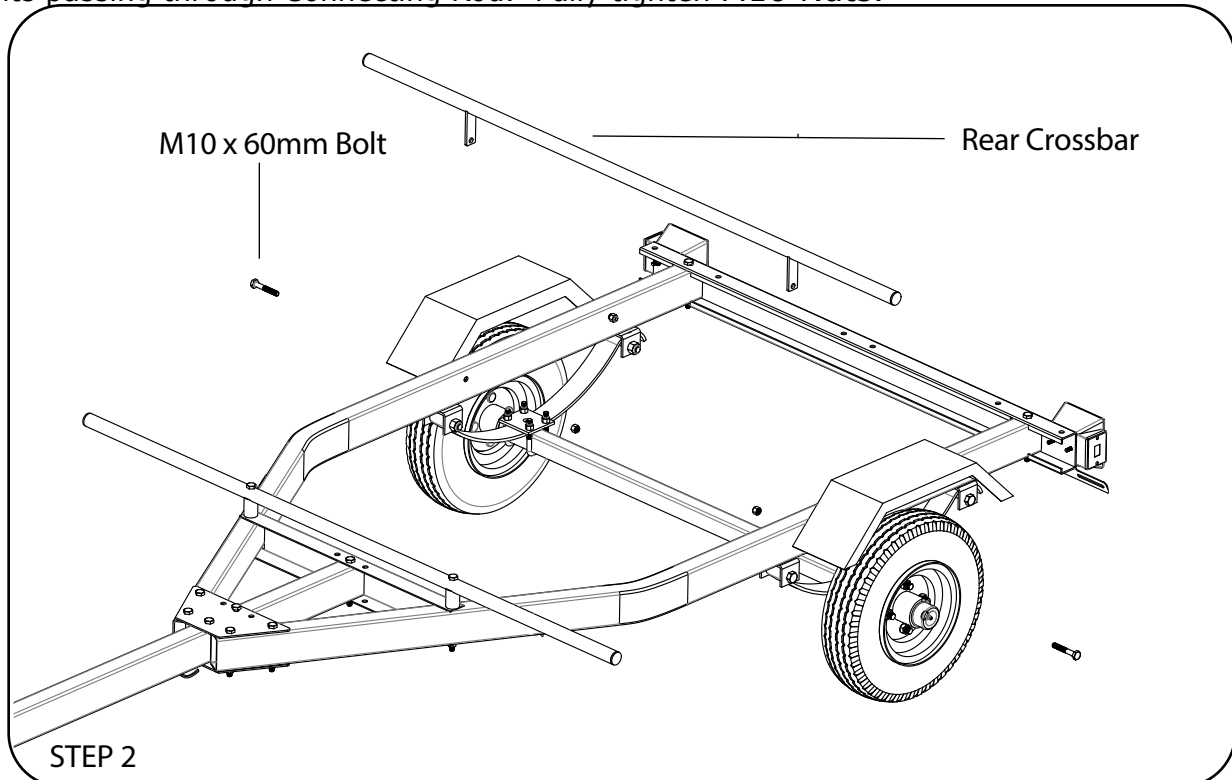
- box wrenches (16mm and 17mm)
- sockets (16mm)



# EXPLODED PARTS VIEW



STEP 1: Dissassemble M10 x 85mm Bolts (qty 2) that pass through the Connecting Rod part of the Trailer - these will not be reassembled. Pass Bolts M10 x150mm through Front Crossbar and though Cross Tube Spacers. Assemble back onto trailer with Bolts passing through Connecting Rod. Fully tighten M10 Nuts.



## ASSEMBLY STEPS

STEP 2: The Rear Crossbars can be assembled in two positions. Assemble Rear Crossbars in front of Fenders for use of accessories like Bike Racks, Cargo Boxes, or Cargo Cages. Assemble the Rear Crossbars behind the Fenders for carrying long items like Kayaks, boats, and SUP's. Remove the front or rear Fender Bolts M10 x 60mm and M10 Nuts. Reassemble and capture the Rear Crossbar with the bolts. Adjust Rear Crossbar to stand vertically and fully tighten both nuts.



Standard 65" Crossbars



Two 13' Kayaks



Kayaks and bikes



Box Rack Accessory

The Crossbars are designed to work with all roof rack accessories from companies like Yakima®, and Thule® (sold separately).

Right-On Trailer Co. LLC  
 Atlanta, GA  
 info@rightontrailer.com  
 www.rightontrailer.com

# LOADING APPLICATIONS