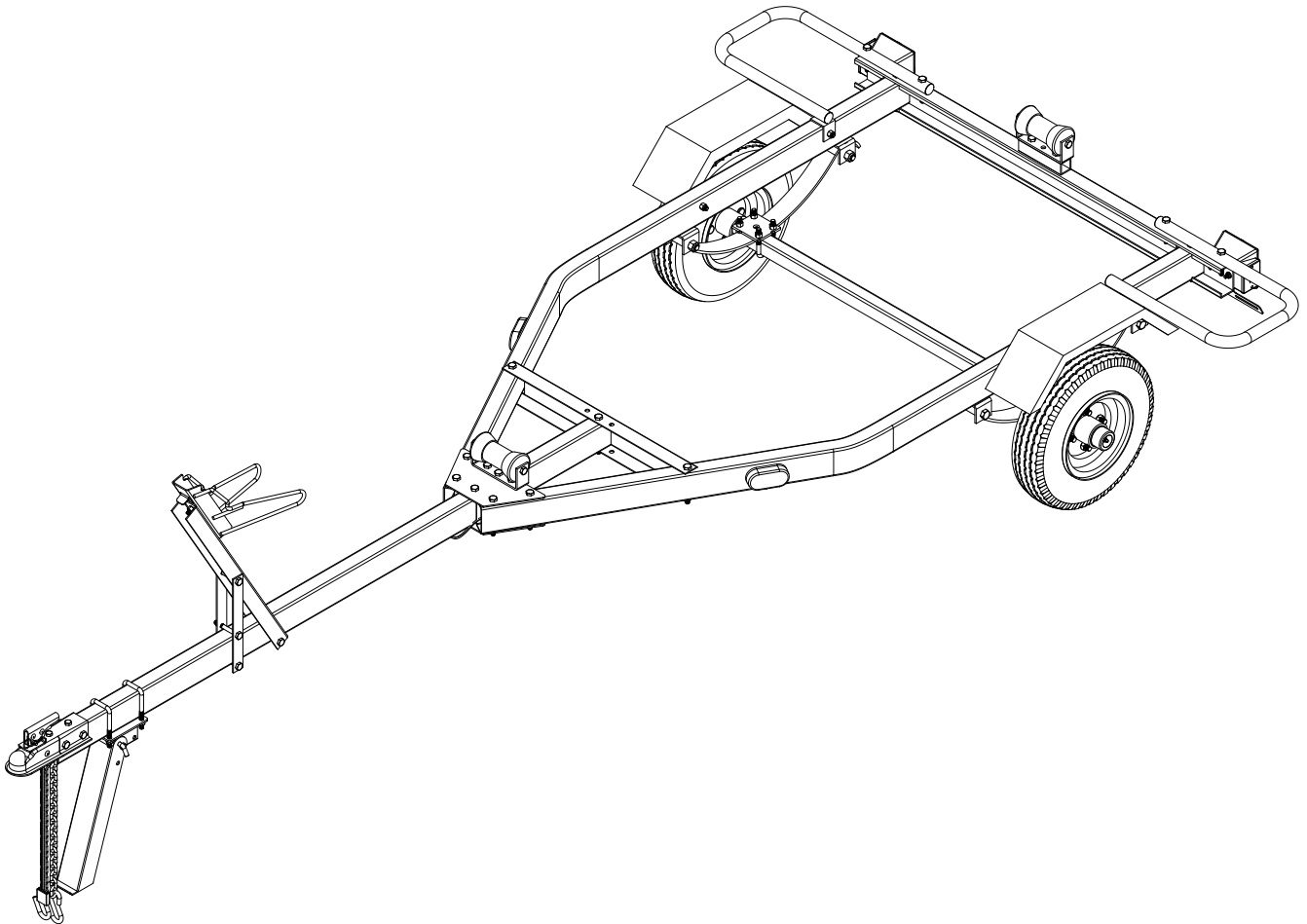




Revision: C



TS-796D Dolly Trailer Brackets
Shipping Weight: 26 lbs

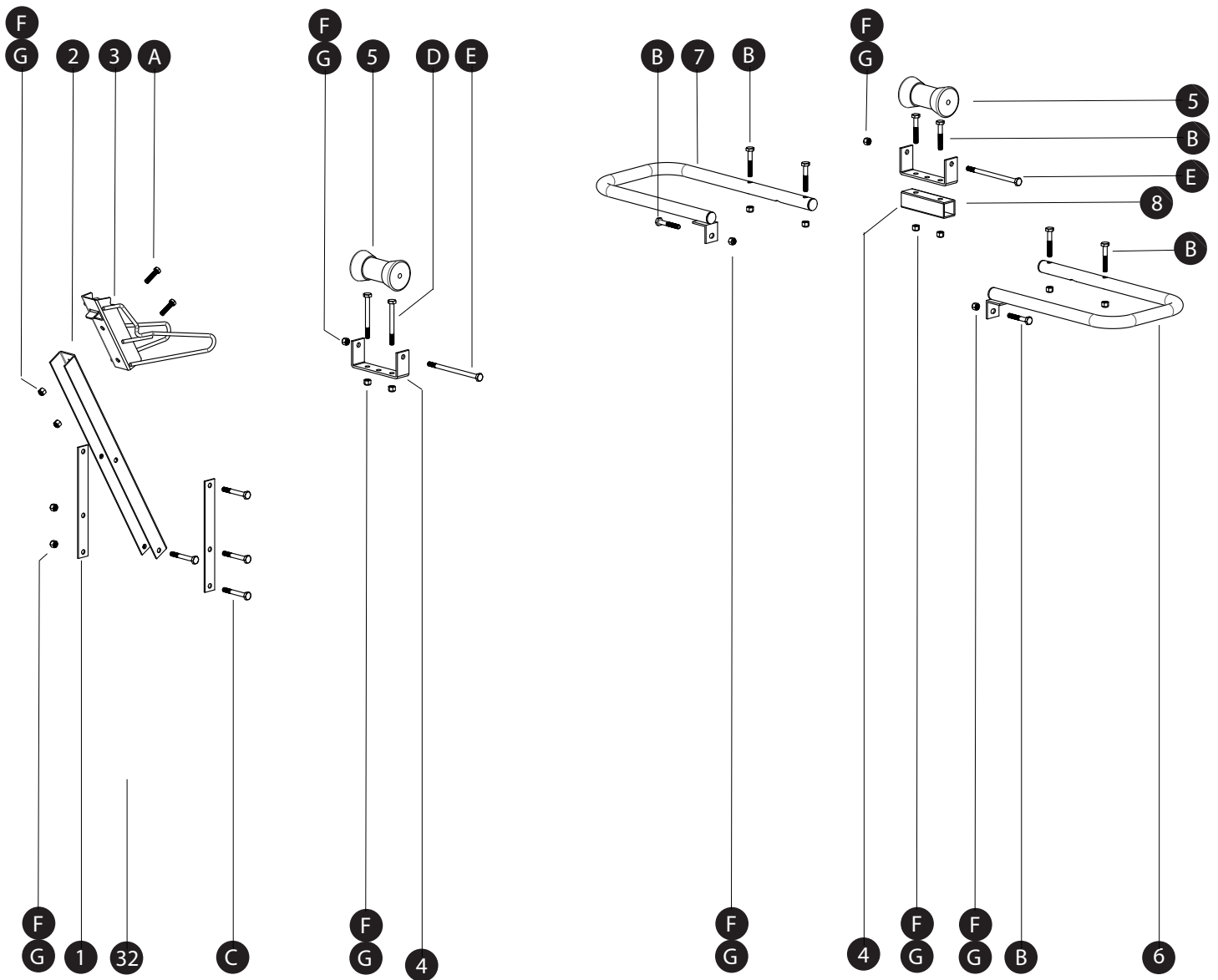


Approximate Assembly Time
1/2 hour

Parts List & Assembly Instructions

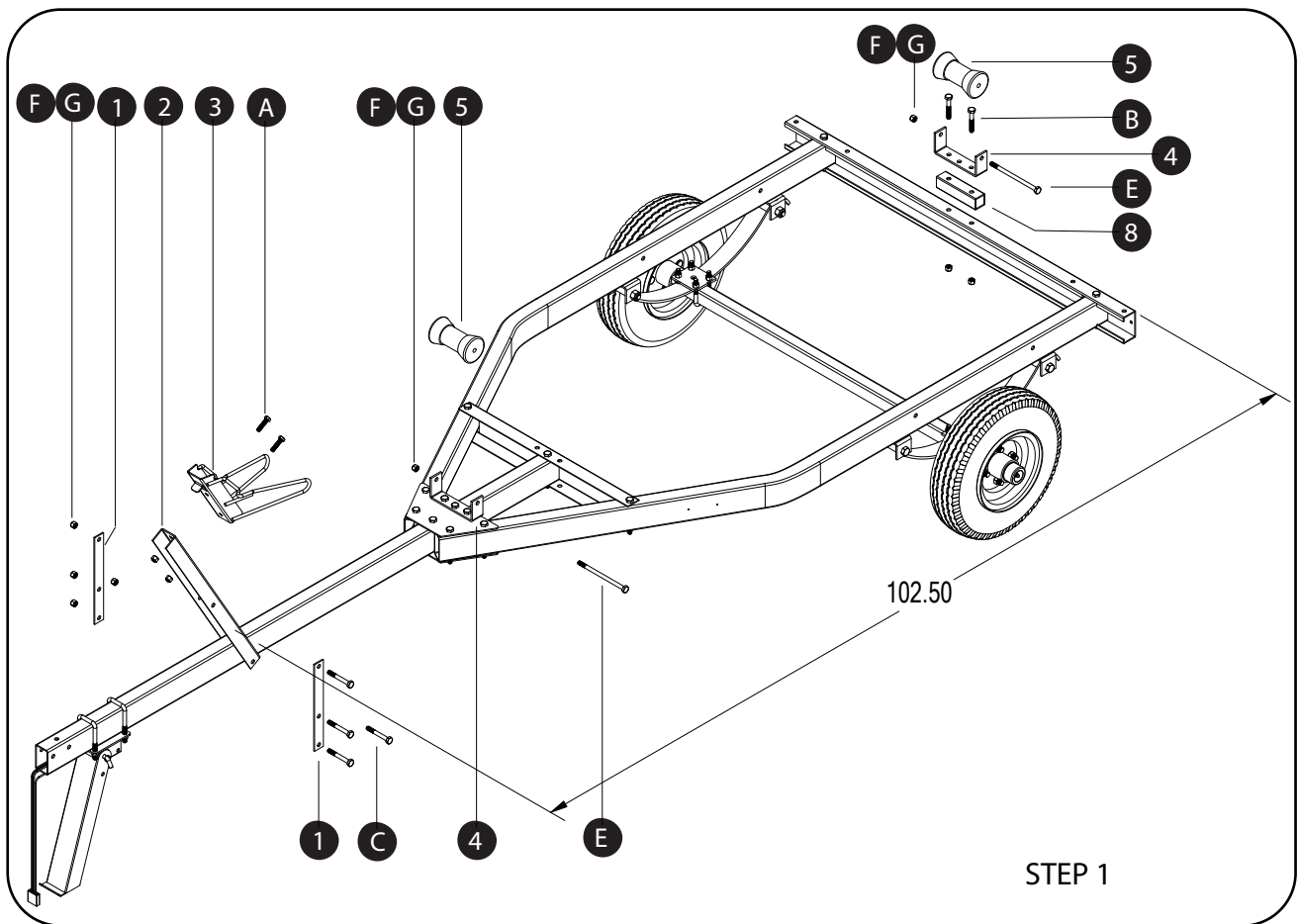
The tools you will need:

- box wrenches (16mm, 17mm)
- sockets (16mm, 17mm)
- measuring tape



EXPLODED PARTS VIEW

Trailer Parts			Hardware		
No.	Item	Qty	No.	Item	Qty
1	Brace	2	A	Bolt M10 x 25	2
2	Orientation Bar	1	B	Bolt M10 x 65	6
3	Handle Bracket	1	C	Bolt M10 x 70	4
4	Roller Base	2	D	Bolt M10 x 90	2
5	Roller	2	E	Bolt M10 x 1160	2
6	Left Wheel Bracket	1	F	Nut M10 (nylon lock)	16
7	Right Wheel Bracket	2	G	Flat Washer M10	16
8	Roller Spacer	1			



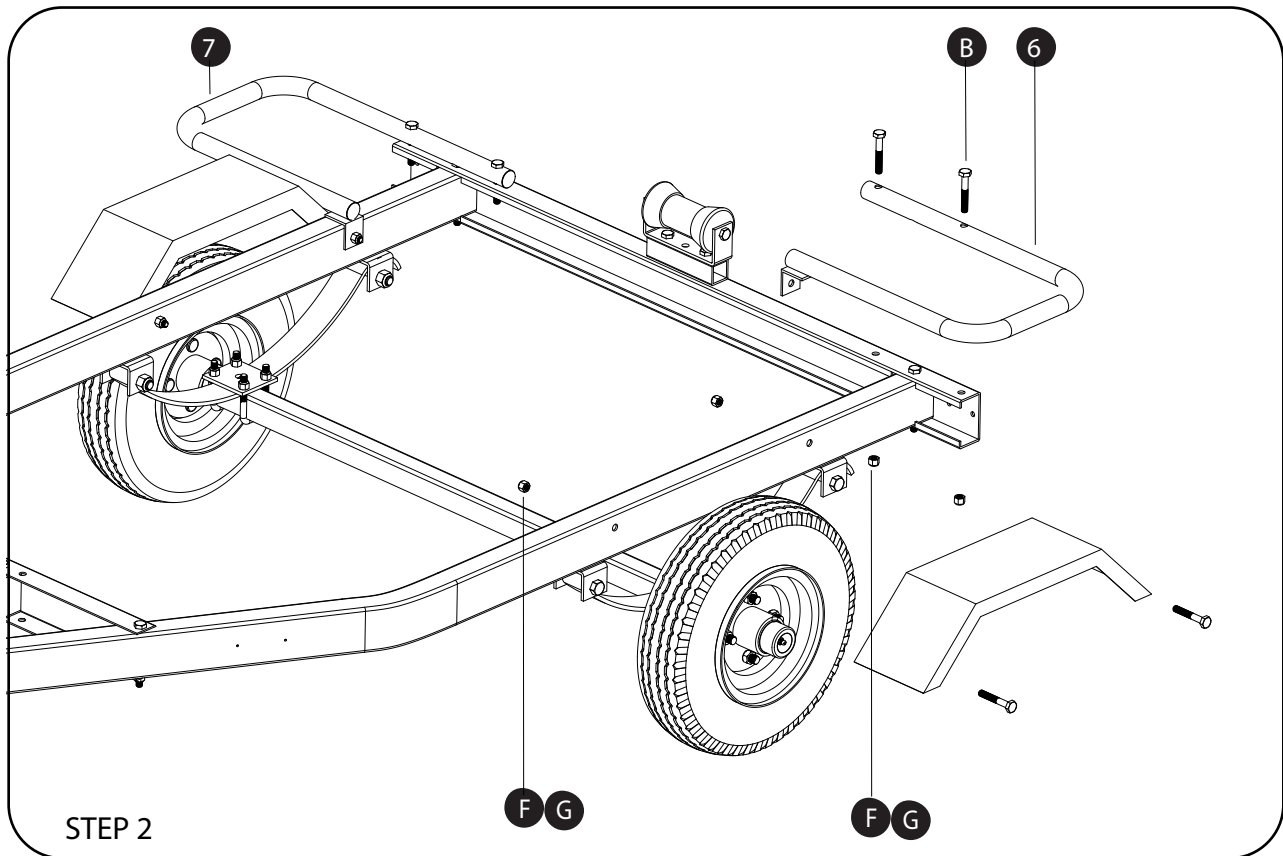
STEP 1: Measure 102.5" from rear of trailer (Cross Member) and strike a line on the top surface of the Towbar. Position the aft edge of the Orientation Bar (2) at this line. Fasten Orientation Bar and Braces (1) using M10 Bolts (C), M10 Flat Washers (G), and M10 Nuts (F) as shown. The Orientation Bar should be set at a 120° angle to the top surface of the Towbar.

Assemble the Handle Bracket (3) to the top of the Orientation Bar (2) using M10 Bolts (A), M10 Flat Washers (G), and M10 Nuts (F) as shown. The top bolt in the Handle Bracket will pass through the top hole in the Orientation Bar.

ASSEMBLY STEPS

STEP 1 (continued): Assemble the front Roller (5) into the front Roller Base (4) using a Bolt M10 (E), M10 Flat Washer (G), and M10 Nut (F) as shown. Grease can be applied to Bolt (E) to reduce rolling friction.

Assemble the rear Roller Base (4) and Roller Spacer (8) to the Cross Member using Bolt M10 (B), M10 Flat Washer (G), and M10 Nut (F) as shown. Assemble the rear Roller (5) into the rear Roller Base (4) using a Bolt M10 (E), M10 Flat Washer (G), and M10 Nut (F) as shown. Grease can be applied to Bolt (E) to reduce rolling friction.



STEP 2: Fasten Left Wheel Bracket (6) to Cross Member using Bolts M10 (B), M10 Flat Washer (G), and M10 Nut (F) as shown. Fasten Fender to Left Side Rail using existing Bolts M10. Be sure that the rear Fender bolt also captures Left Wheel Bracket. Repeat this procedure for the right side to assemble the Right Wheel Bracket (7).

Right-On Trailer Co. LLC
Atlanta, GA
info@rightontrailer.com
www.rightontrailer.com

ASSEMBLY STEPS



1. Flip-down dolly gunwale supports if present. Tie bow of boat to dolly as shown below.



Seitech dolly



JOTAG dolly

2. Move Right-On Trailer to flat open area and hitch to vehicle or chock both tires. Roll dolly to rear of trailer and set dolly tongue on rear roller.



3. Stand at transom and roll dolly forward onto trailer. Before transom touches ground, lift boat/dolly and continue pushing forward with dolly tongue riding on front trailer roller. Don't stop until boat/dolly is fully loaded with wheels sitting in wheel brackets and handle captured in front bracket.

Note: It is best to have a 2nd person "spot" for the first few times that you load your Right-On Trailer. Loading is easier than a roll tack but takes some practice.



Loading Instructions



4. Lash handles of dolly to front bracket as shown.



Dynamic dolly



JOTAG dolly

5. Use a nylon ratchet strap across the wheel brackets to secure the boat/dolly to the trailer. Secure the strap tightly so the dolly tires slightly compress into the wheel brackets.



6. To unload boat/dolly, remove strapping but keep boat bow tied to dolly. Reverse loading steps.

Right-On Dolly Trailer will never need to be put in the water. Never load a boat hull directly onto the dolly trailer. Right-On Dolly trailer should only be used with Seitech, Dynamic, JOTAG, Intensity, and Tech4 dollies. Alternate trailer wheel brackets are needed for "fat" balloon wheel configurations.